



# FX SERIES LOADER BACKHOES

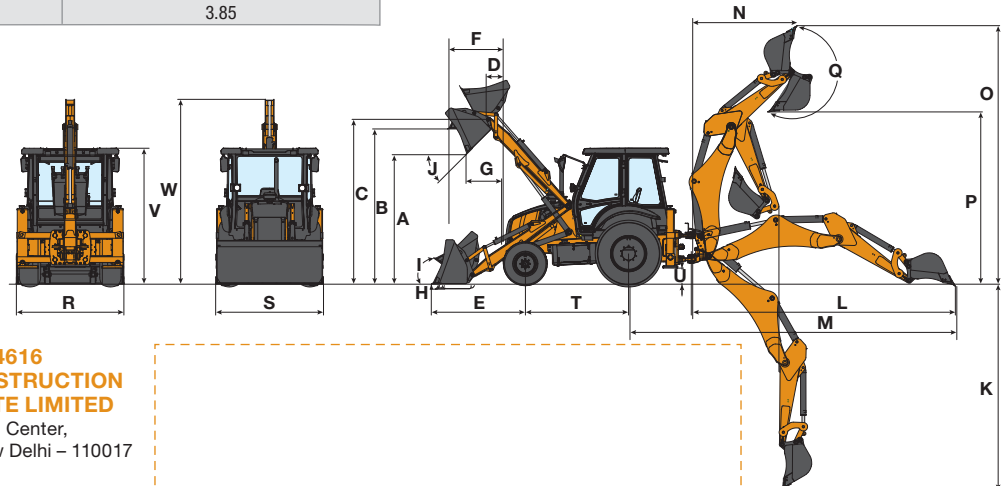


770FX | 851FX | 770FX Plus | 851FX Plus



| MODEL   | 770FX                  | 770FX+                | 851FX/<br>FX CP                   | 851FX+/<br>FX+ CP     |
|---|------------------------|-----------------------|-----------------------------------|-----------------------|
| <b>ENGINE</b>                                   |                        |                       |                                   |                       |
| FPT   |                        |                       |                                   |                       |
| Engine Model                                    | F5HFL463A*W            |                       | F5BFL413A*W                       |                       |
| Emission Compliant                              | Tier 4B                |                       |                                   |                       |
| Engine Displacement (L)                         | 3.4                    |                       |                                   |                       |
| Engine Air Intake Type                          | Turbocharged           |                       |                                   |                       |
| Engine Gross Power @2200 rpm                    | 55 kW (74 hp)          |                       | 72 kW (97 hp)                     |                       |
| Engine Max. Torque @1400 rpm (Nm)               | 325 Nm                 |                       | 453 Nm                            |                       |
| <b>HYDRAULIC SYSTEM</b>                         |                        |                       |                                   |                       |
| System Type                                     | Open Centre            |                       | Closed Centre                     |                       |
| Pump Type                                       | Gear                   | Variable Displacement | Gear                              | Variable Displacement |
| Pump Flow (lpm) @rated rpm                      | 123                    | 143                   | 154                               | 156                   |
| System Relief Pressure (bar)                    | 195                    |                       | 210                               |                       |
| <b>LOADER GENERAL DIMENSIONS</b>                |                        |                       |                                   |                       |
| A - Dump Height (m)                             | 2.73                   |                       | 2.66                              |                       |
| B - Load Over Height (m)                        | 3.3                    |                       |                                   |                       |
| C - Hinge Pin Height (m)                        | 3.6                    |                       |                                   |                       |
| D - Hinge Pin Forward Reach (m)                 | 0.24                   |                       |                                   |                       |
| E - Reach at Ground (m)                         | 1.98                   |                       | 2.08                              |                       |
| F - Max. Reach at Full Height (m)               | 1.19 (2WD), 1.15 (4WD) |                       |                                   |                       |
| G - Max. Reach at Full Height-Bucket Dumped (m) | 0.76                   |                       | 0.84                              |                       |
| H - Below Ground Level-Dig Depth (m)            | 0.11                   |                       |                                   |                       |
| I - Rollback at Ground (degree)                 | 33                     |                       |                                   |                       |
| J - Dump Angle (degree)                         | 45                     |                       |                                   |                       |
| Bucket Capacity Std. (m³)                       | 1.1                    |                       | 1.2                               |                       |
| Bucket Breakout Force (kgf/ kN)                 | 5805/ 56.9             | 6250/ 61.3            | 5520 / 54.1<br>6250 / 61.29 (BDB) |                       |
| Loader Arm Breakout Force (kgf/ kN)             | 4750/ 46.6             | 5115/ 50.2            | 4937/ 48.4<br>5115/ 50.2 (BDB)    |                       |
| Max. Lifting Capacity @Max. Height              | 3515                   |                       | 3700                              |                       |
| <b>BACKHOE GENERAL DIMENSIONS</b>               |                        |                       |                                   |                       |
| Dipper Configuration                            | 4.3 m (14ft)           |                       | 4.6 m (15ft)                      |                       |
| K - Max. Dig Depth (m)                          | 4.40                   |                       | 4.70                              |                       |
| L - Reach Ground Level to Swing Center (m)      | 5.62                   |                       | 5.90                              |                       |
| M - Reach-Ground Level to Rear Wheel Centre (m) | 6.95                   |                       | 7.23                              |                       |
| N - Reach at Full Height to Slew Centre (m)     | 2.10                   |                       | 2.34                              |                       |
| O - Max. Working Height (m)                     | 5.5                    |                       | 5.7                               |                       |
| P - Max. Load Over Height (m)                   | 3.8                    |                       |                                   |                       |
| Bucket Capacity (m³)                            | 0.26                   |                       | 0.30                              |                       |
| Q - Bucket Rotation (degree)                    | 204                    |                       |                                   |                       |
| Bucket Breakout Force (kgf/ kN)                 | 5206 / 51.0            |                       | 5616 / 55.1                       |                       |
| Dipper Tearout Force (kgf/ kN)                  | 3031/ 29.72            |                       | 3780/ 37.1                        |                       |
| Max. Lift Capacity (kg)                         | 1330                   |                       | 1530                              |                       |
| Safe Working Load (kg) @3.2m Radius             | 1000                   |                       | 1100                              |                       |
| <b>OVERALL DIMENSIONS AND WEIGHTS</b>           |                        |                       |                                   |                       |
| Max. Operating Weight (kg)                      | 7600                   | 7920                  | 8100                              |                       |
| Transport Length (m)                            | 5.88                   | 5.96                  | 6.06                              |                       |
| R - Width Over Stabilizer (m)                   | 2.27                   |                       |                                   |                       |
| S - Width Over Bucket (m)                       | 2.30                   |                       |                                   |                       |
| Track Width- Rear (m)                           | 1.70                   |                       |                                   |                       |
| Track width- Front (m)                          | 1.88 (2WD), 1.90 (4WD) |                       |                                   |                       |
| T - Wheelbase (m)                               | 2.18                   |                       |                                   |                       |
| U - Minimum Ground Clearance (m)                | 0.38                   |                       |                                   |                       |
| V - Height to Top of Cabin (m)                  | 2.83                   |                       |                                   |                       |
| W - Overall Transport Height (m)                | 3.85                   |                       |                                   |                       |

| <b>SERVICE CAPACITIES</b>                    |   |
|--|---|
| Engine Oil (L) - System                      | 9.1   |
| Rear Axle (L)                                | 17.1  |
| Hydraulic Oil (L) - System/ Replacement      | 107   |
| Transmission Oil (L) - System                | 18-2WD, 20-4WD  |
| DEF Tank Capacity (L)                        | 21 (851FX/FX+)  |
| Fuel Tank (L)                                | 129   |
| Coolant (L)                                  | 20  |
| <b>POWER TRAIN</b>                           |   |
| Power Train Type                             | Power Shuttle with TC   |
| Transmission Make and Model                  | CARRARO 2WD/4WD TLB1  |
| <b>AXLE</b>                                  |   |
| Rear   | CARRARO 28.32M  |
| Front  | CARRARO 28.32M (2WD)<br>CNH PS1300 (4WD)                      |
| Front Axle Oscillation (degree)              | ±21 (2WD), ±16 (4WD)  |
| <b>STEERING</b>                              |   |
| Type   | Power Steering  |
| System Pressure (bar)                        | 140   |
| Pump Displacement (cc)                       | 125   |
| Turning Circle Outside Bucket-Braked (m)     | 9.2 (2WD), 9.8 (4WD)  |
| Turning Circle Outside Bucket-Not Braked (m) | 11.1 (2WD), 11.2 (4WD)  |
| <b>BRAKES</b>                                |   |
| Service                                      | Wet Multi Discs, 4 Discs                                      |
| Parking                                      | Manual with Lever   |
| <b>TYRE</b>                                  |   |
| 2WD - Standard - Front                       | 9.0 x 16 – 16 PR  |
| 2WD - Standard - Rear                        | 16.9 x 28 – 12 PR   |
| 2WD - Heavy Duty - Rear                      | 14.0 x 25 – 20 PR   |
| 4WD - Heavy Duty - Front                     | 12.5 x 18 – 12 PR   |
| 4WD - Standard - Rear                        | 16.9 x 28 – 12 PR   |
| <b>ELECTRICAL SYSTEM</b>                     |   |
| Battery                                      | 12 volts, 110 Ah  |
| <b>TRAVEL SPEED</b>                          |   |
| Forward (1st/2nd/3rd/4th) (km/ hr)           | 770FX/FX+: 5.7/9.1/19.5/34.9<br>851FX/FX+: 6.2/10.0/20.7/39.2 |
| Reverse (1st/2nd/3rd/4th) (km/ hr)           | 770FX/FX+: 7.0/11.2/23.8/NR<br>851FX/FX+: 7.4/12.0/24.8/NR    |
| <b>OPTIONAL EQUIPMENT</b>                    |   |
| Cabin  | HVAC  |
| Drive  | 4WD   |
| Fenders                                      | Front in 4WD  |
| Loader Bucket                                | Bottom Dump Bucket  |
| Dipper                                       | Extendahoe  |
| Counterweight                                | Light/Heavy/NC  |
| Dipper Option                                | 14ft & 15ft (4.3 m & 4.6 m)                                   |
| Dipper Cylinder Diameter (mm)                | 110 – 770FX<br>125 – 770FX+                                   |
| Tyre   | Heavy Duty  |



CIN: U29240DL1998PTC344616

**CASE NEW HOLLAND CONSTRUCTION EQUIPMENT (INDIA) PRIVATE LIMITED**

Level-4, Rectangle-1, D-4, District Center, Commercial Complex, Saket, New Delhi – 110017  
Contact No.: 011-66544151  
Email: caseindia@cnhind.com

**CaseCE.com 1800 4199 770**

NOTE: Standard and optional fittings can vary according to the demands and specific regulations of each country. The illustrations may include optional rather than standard fittings - consult your Case dealer. Furthermore, CNH Industrial reserves the right to modify machine specifications without incurring any obligation relating to such changes.  
DISCLAIMER: ±2.5% variation on parameters may occur and is acceptable by the industry norms